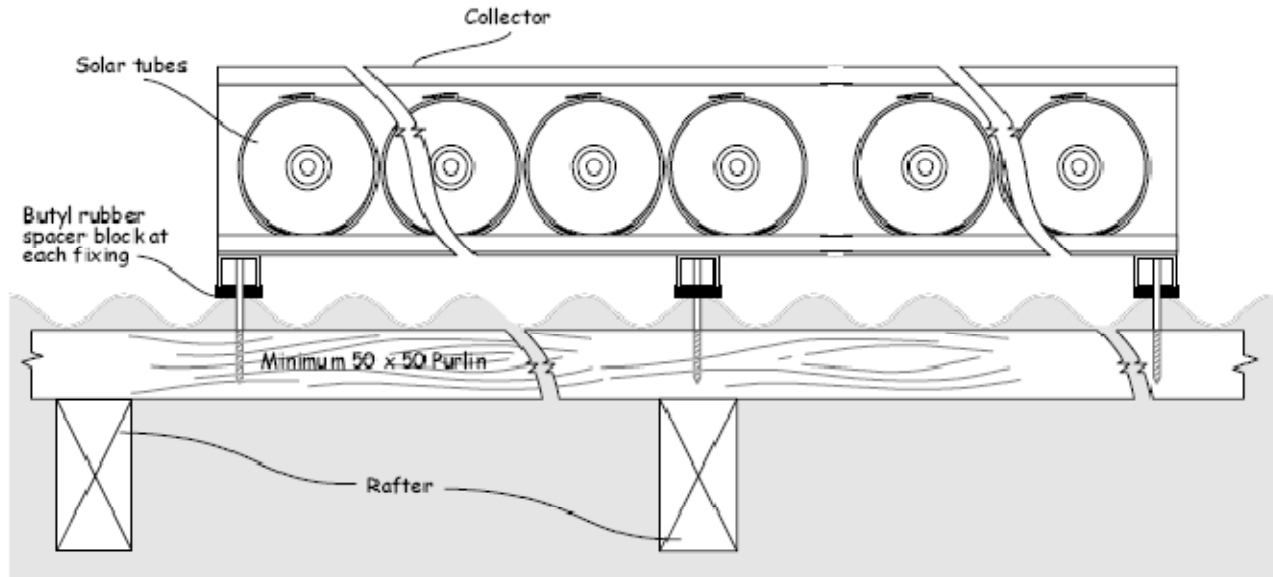




## Direct fixed channel – section



## Direct fixed channel – elevation

